

Mounting and User Instructions Handihoist45

45kg Wheelchair Hoist.

Version 1,0



930.MI.EN

Handihoist45

45 kg WHEELCHAIR HOIST

Handihoist45 (standard)



Handihoist45 with break joint. (Option)



General

Handihoist45

45kg Wheelchair Hoist.

Before installation:



Warning!

The hoist operates on the 12V power supply from the car. This should be made available to the place of the installation directly from the car batter through a 15A fuse. Clearly mark the fuse "LIFT". The control box should be wired to the power supply, so the blue wire is connected to earth.

The lift must be fitted onto the vehicle floor without the use of braces. Make sure that the bottom of the vehicle is sufficiently reinforced and that the lift is attached around the stringers.

Warning.

EV - Electric vehicle.

All work must be carried out in accordance with current regulations for work on electric cars and the car manufacturer's regulations.

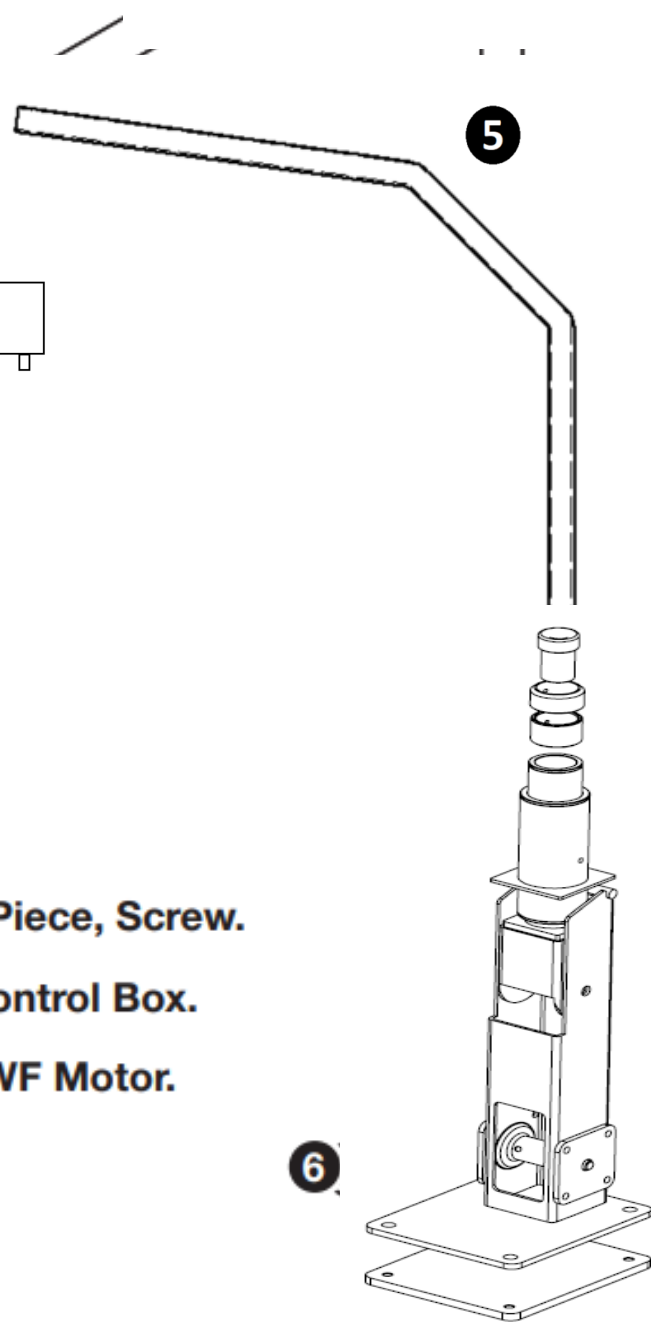
Minimum course is a requirement.

Connections to vehicle 12v system must be made according to the car manufacturer's instructions.

The package contains:

Handihoist45

45 kg WHEELCHAIR HOIST



- 1 Rope, Hook.
- 2 Cover Fitting, End Piece, Screw.
- 3 Remote Control, Control Box.
- 4 Wiring, Battery / SWF Motor.
- 5 Crane Arm.
- 6 Crane Base.

Installation Instructions

Handihoist45

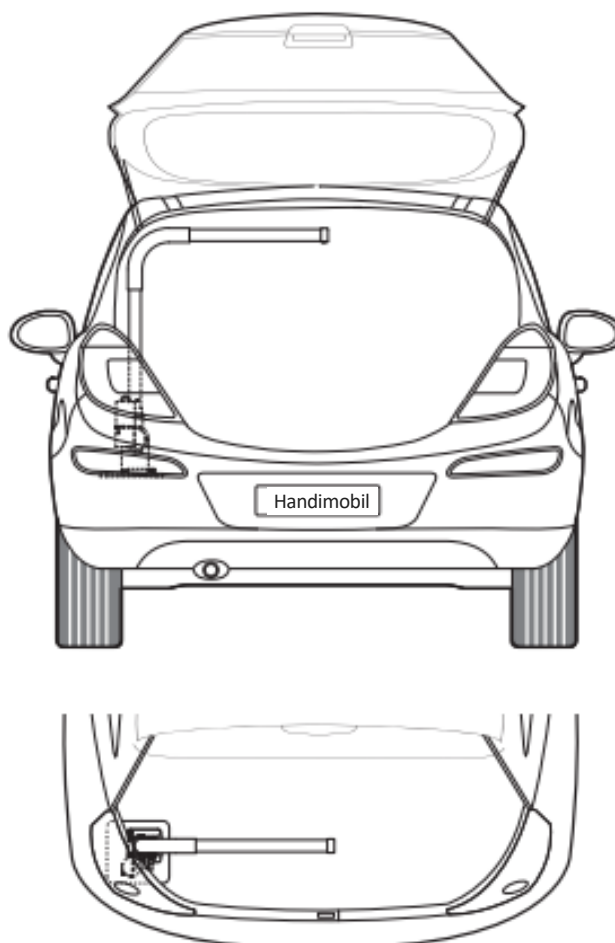
45 kg WHEELCHAIR HOIST

1



The base plate is attached to car's chassis/frame. It is important that the hoist is secured securely. With a 45kg pull in the hoist, the pull will be large at the attachment point.

2

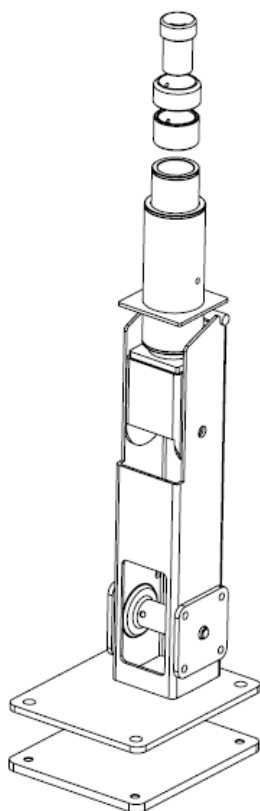


The hoist may be positioned very close to inside of the trunk, to free up space for the hoist arm. A modification of the base plate may be necessary. Hoist can be placed on the right or left side.

Installation Instructions

Handihoist45
45 kg WHEELCHAIR HOIST

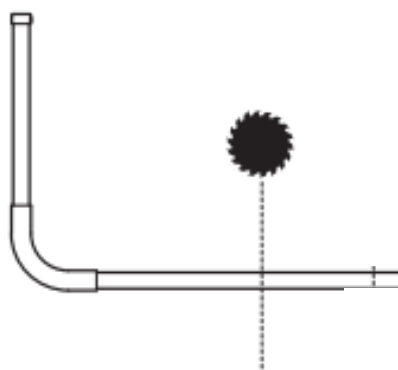
3



The hoist is mounted on top of the base plate. Use the included screws M8X20 mm

4

The height and reach of the hoist is adapted by cutting off the excess length of tube.

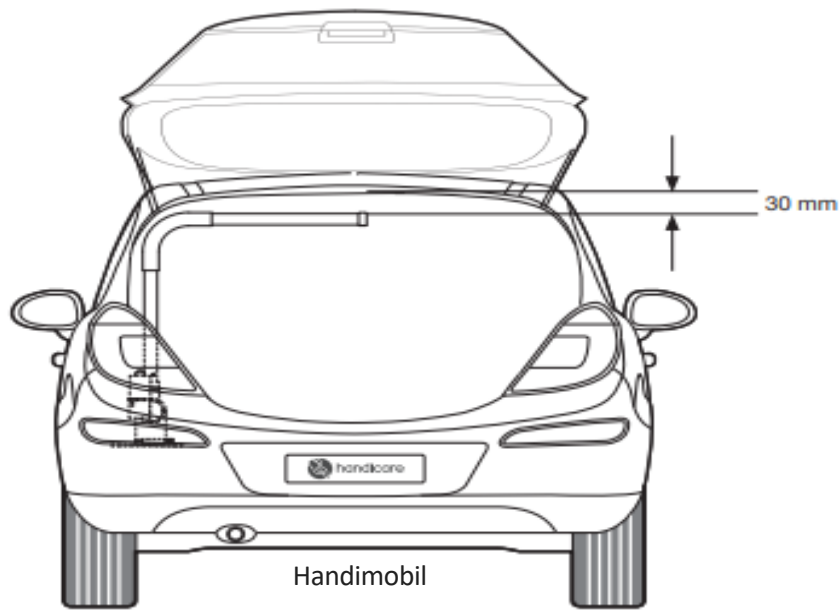


6

Installation Instructions

Handihoist45
45 kg WHEELCHAIR HOIST

5

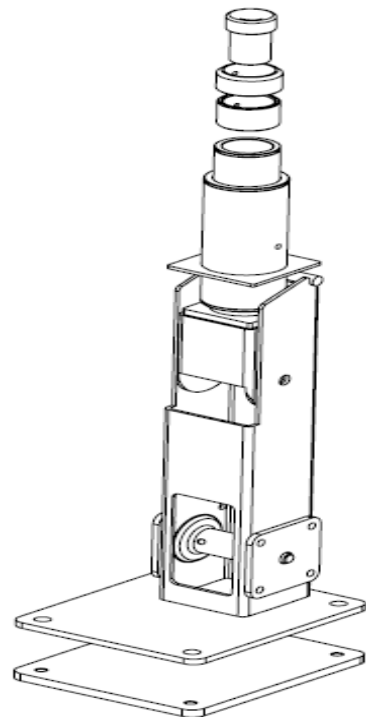
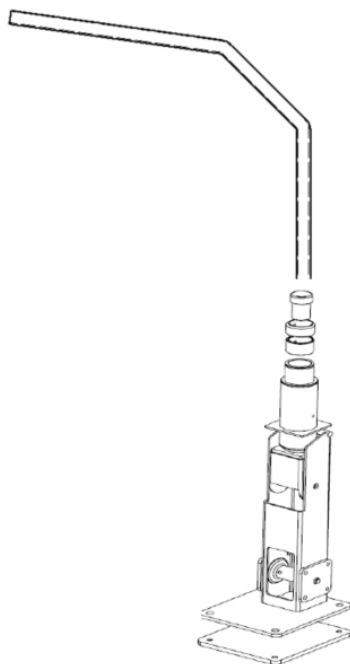


It is necessary to adjust the height and reach of the hoist to fit the particular vehicle. The hoist arm should under normal circumstances reach to a little over the middle of the truck for the best result. The height should be adjusted, so the wheelchair clears the edge of the truck. In station cars, the horizontal arm should swing into the truck.

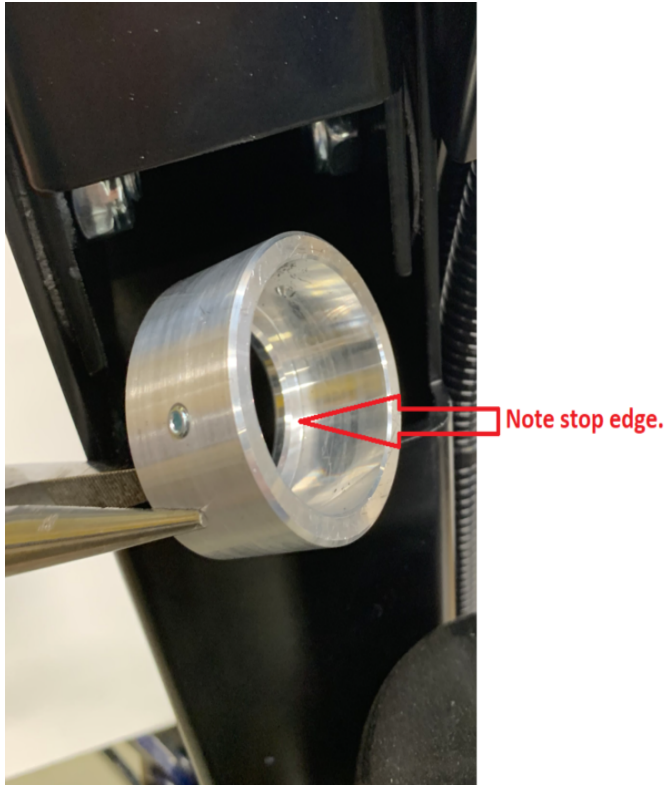
6

Note collection of parts

Pictures illustrate how the Hoist arm is mounted



7



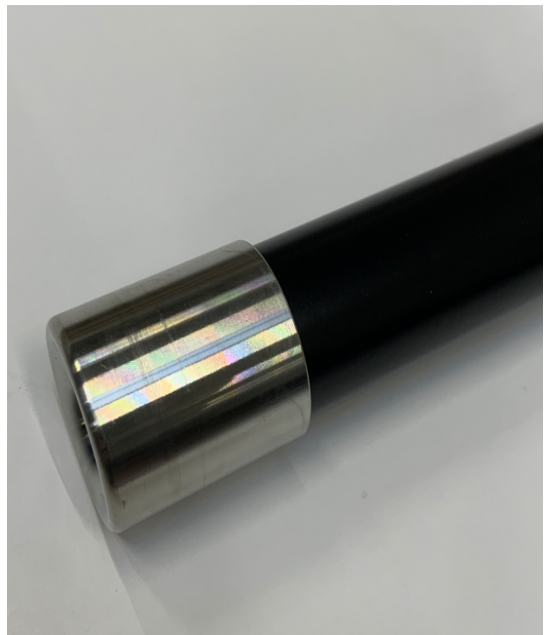
Stop ring is placed at the bottom of the Hoist.



Hoist arm is positioned and secured.



Top ring is attached so that the hoist arm does not slide down.



The end sleeve is installed

Installation Instructions

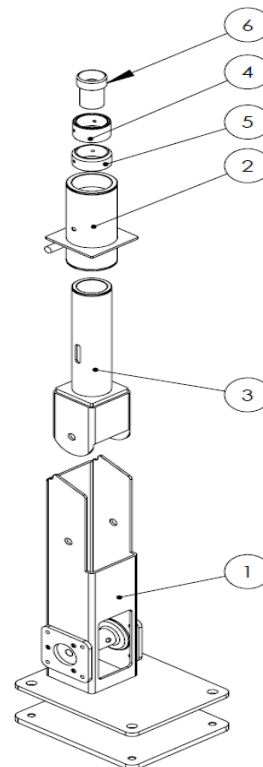
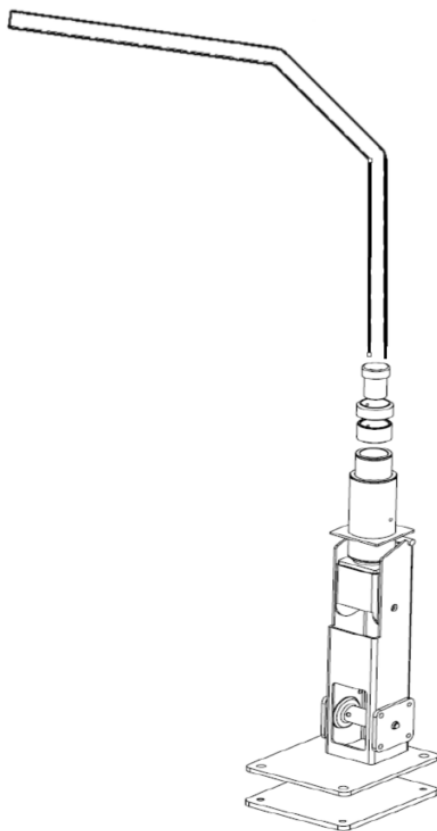
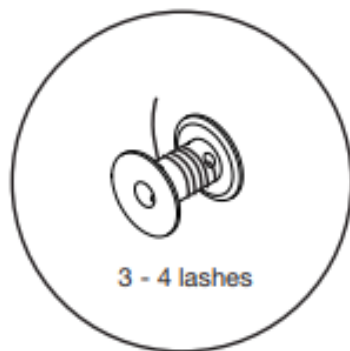
Handihoist45

45 kg WHEELCHAIR HOIST

8

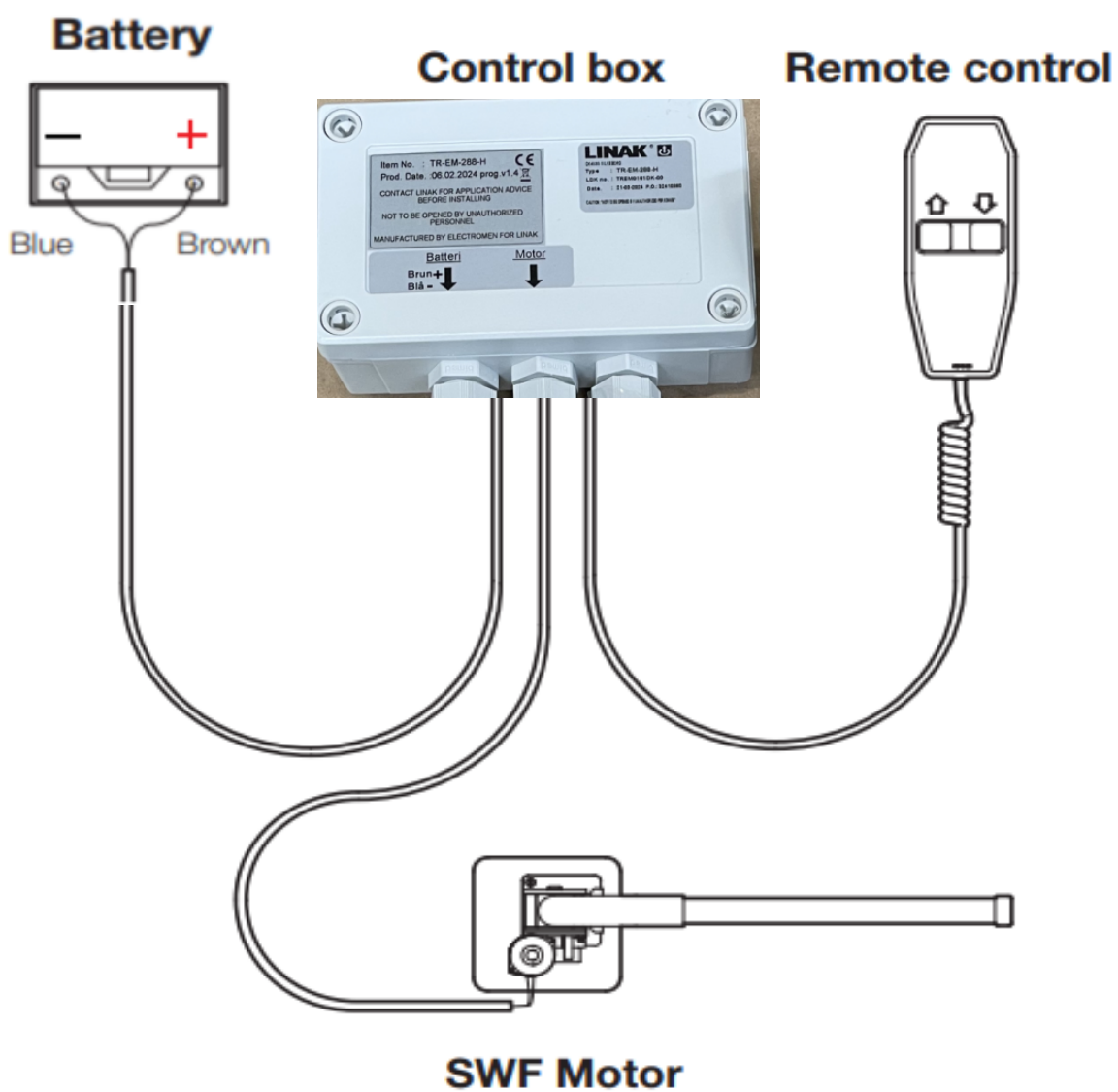
The length of the rope is adjusted in the following way. With the lift installed, the rope should be reeled out until there is 3 - 4 lashes on the reel. The rope is secured to the reel through the hole, tying a simple knot.

The hook should now just reach the ground. Any excess length of rope can be cut off, and the hook tied onto the rope again.



Wiring Diagram

Handihoist45
45 kg WHEELCHAIR HOIST



Warranty

Handihoist45

45 kg WHEELCHAIR HOIST

Warranty for products sold under the responsibility of Handimobil Auto DK.

Handimobil Auto Products warrants to the original purchaser of this product that we will repair or replace any faulty parts, at our discretion.

Warranty period: Any parts that fail by reason of defective material or workmanship will be offered a replacement of all parts for a period of one year. Labor costs for specified parts replaced under warranty are not covered by this warranty. If applicable the product specific extended warranty obligations can be found online.

This warranty does not cover: Damage caused by accident, misuse, abuse, lack of proper maintenance or failure to follow operating instructions. Required maintenance or repairs must be performed at that time, or as needed. Handimobil Auto obligation under this warranty is exclusively limited to the repair or exchange of parts that fail within the applicable warranty period, and Handimobil assumes no responsibility for any other expenses or damages, including incidental or consequential damages.

This Warranty is void if: The product has been modified or altered in any respect from its original design without written authorization by Handimobil as this product has been designed and manufactured to a specific purpose. Modification of this product in any respect is DANGEROUS.

Handimobil disclaims liability for any personal injury or property damage that results from operation of a product that has been modified from the original Handimobil Products design. No person or company is authorized to change the design of this product without written authorization by Handimobil.

Warranty handling procedure: Returning of parts / goods with a warranty claim can only take place with a pre-written agreement in the form of a "return number" issued by Handimobil.

Claim validation process – spare parts and products (hereafter named goods): Handimobil will when needed as soon as possible send a replacement for the claimed goods. Any replacement goods will be invoiced to the customer. Claimed goods which are applicable to be covered by the warranty must be returned to Handimobil without delay, with a copy of the original invoice, and the warranty claim form describing the default in the claimed warranty goods. Handimobil will upon receipt inspect the returned claimed goods. The customer pays for the freight cost in connection with returning goods to Handimobil "warranty". In case the goods is covered by the warranty, there will be made a credit note for the replacement goods which has been send earlier. If the claim is not accepted under the warranty, the invoice must be fully paid. Unless anything else has been agreed the risk for the replacement goods is passed on to the purchaser by delivery at sellers address (Incoterms 2010 EX Works). Furthermore we refer to our general sales- and delivery terms.

Handimobil A/S. Baggeskærvej 48, 7400 Herning, Denmark T: (+45) 97129622 / E: www.handimobil.dk

User manual - Handihoist 45kg

Version 1,0

Hoist is raised to vertical position. Be sure the release and lock handle is in correct position.



Hoist is operated with 2 button control with cord. There is a button for up and down.

Down function:

Never extend the rope further than necessary, and never more than 3 turns are left on the spool.

Up function:

Never run the rope stop (Lift aggeat) towards the stop / Hoist arm.



When the hoist is not in use, it can be conveniently stored lying down.

The hoist is protected against overload by the intelligent control module, but is also protected with a 20 amp fuse.

The location of this fuse can be provided by your installer.

For further questions, contact your installer.

Handi mobil cannot be held responsible for incorrect use of the hoist and any damage caused by this.