

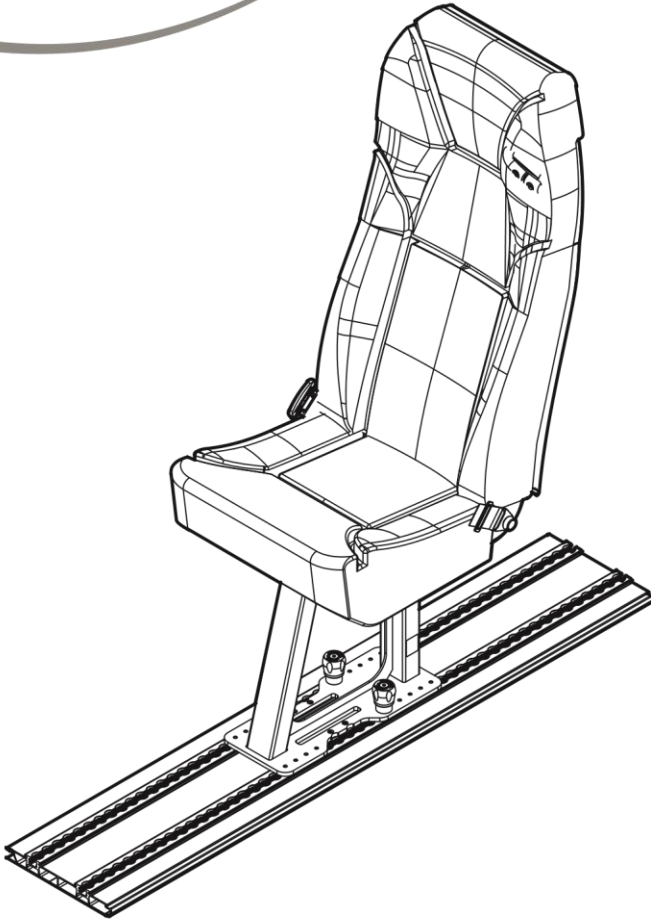
USER MANUAL
MOUNTING INSTRUCTIONS

EN



handileg

VEHICLE SEAT LEG



For HandiSeat™ Fixed Backrest

auto products

ENGLISH

© 2022 **auto** products

All rights reserved.

The information provided herein may not be reproduced and/or published in any form (electronically or mechanically) without the prior written authorization of **Autoproducts**. The information provided is based on general data concerning the construction known at the time of the publication of this manual.

Autoproducts executes a policy of continuous improvement and reserves the right to changes and modifications.

The information provided is valid for the product in its standard version. **Autoproducts** can therefore not be held liable for any damage resulting from specifications of the product deviating from the standard configuration. Illustrations contained in the manual may deviate from the configuration of your product.

The information made available has been prepared with all possible diligence, but **Autoproducts** cannot be held liable for any errors contained in the information or the consequences thereof.

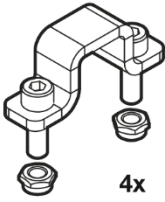
Autoproducts accepts no liability for loss resulting from work executed by third parties. Names, trade names, trademarks etc. used by **Autoproducts** may not, as per the legislation concerning the protection of trade names, be considered as being available

Overview



handileg
VEHICLE SEAT LEG

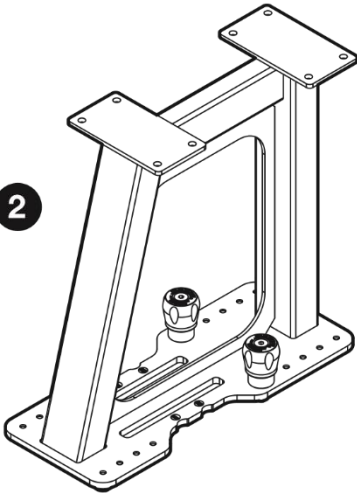
1



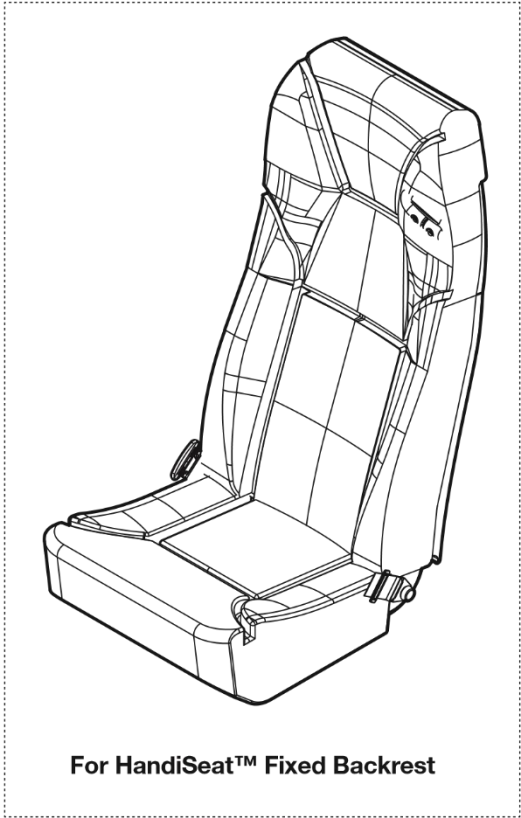
4x

Bracket kit 760034

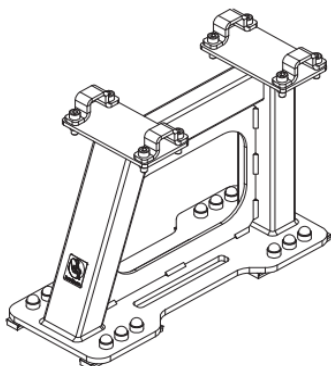
2



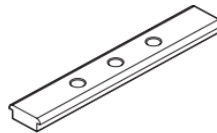
HandiLeg™ - 260 / 300 / 337 mm



For HandiSeat™ Fixed Backrest



HandiLeg™ Fixed 260 / 300 / 337 mm



4x



12x



4x

70219 - Glider kit

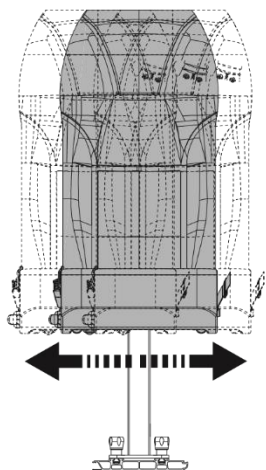
1 set pr. seat (fixed seat only)

Assembly

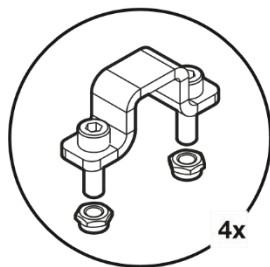


handileg
VEHICLE SEAT LEG

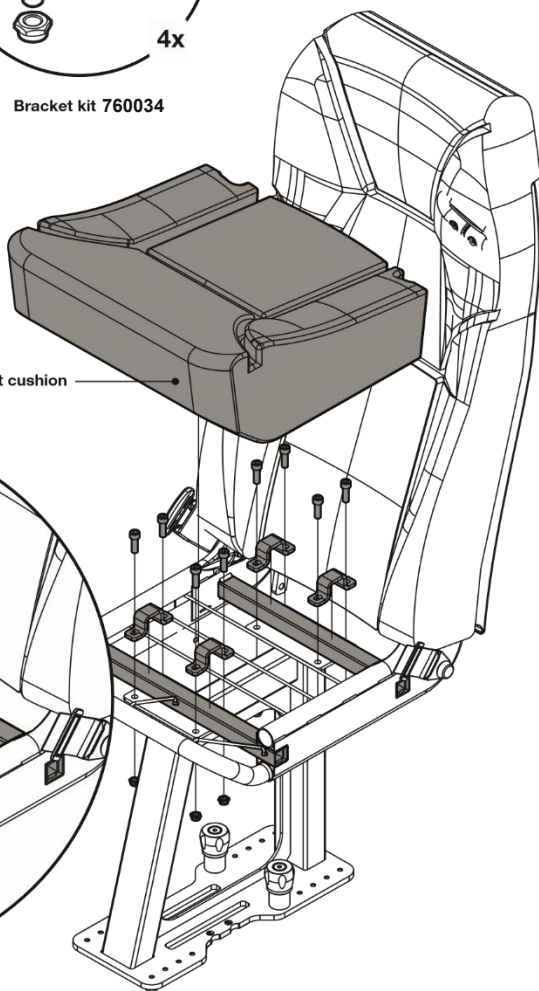
1. Detach the seat cushion.
2. Place the seat onto the seat and mount the seat onto the seat leg with **Bracket kit 760034**.
3. Reattach the seat cushion.



The seat can be adjusted sideways.



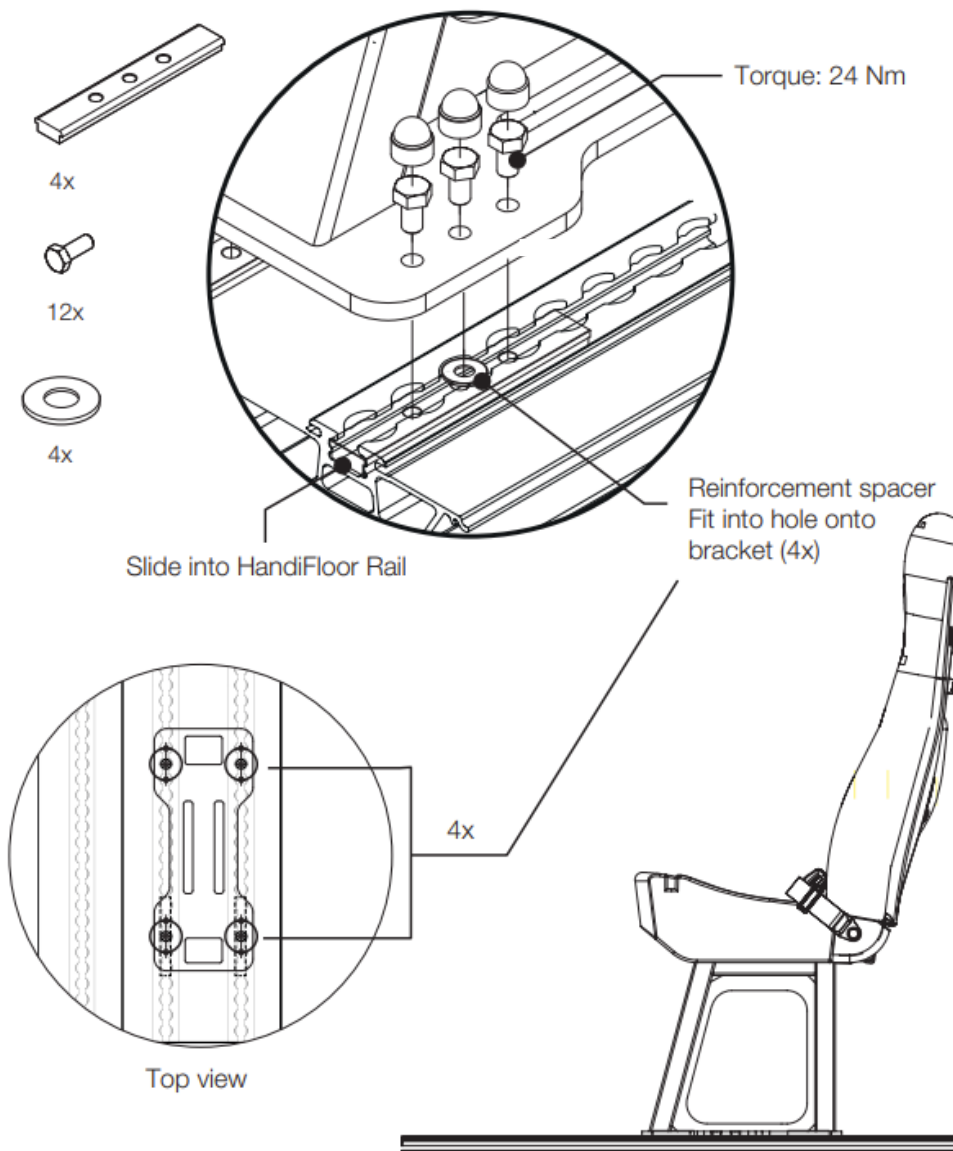
Bracket kit 760034



Assembly



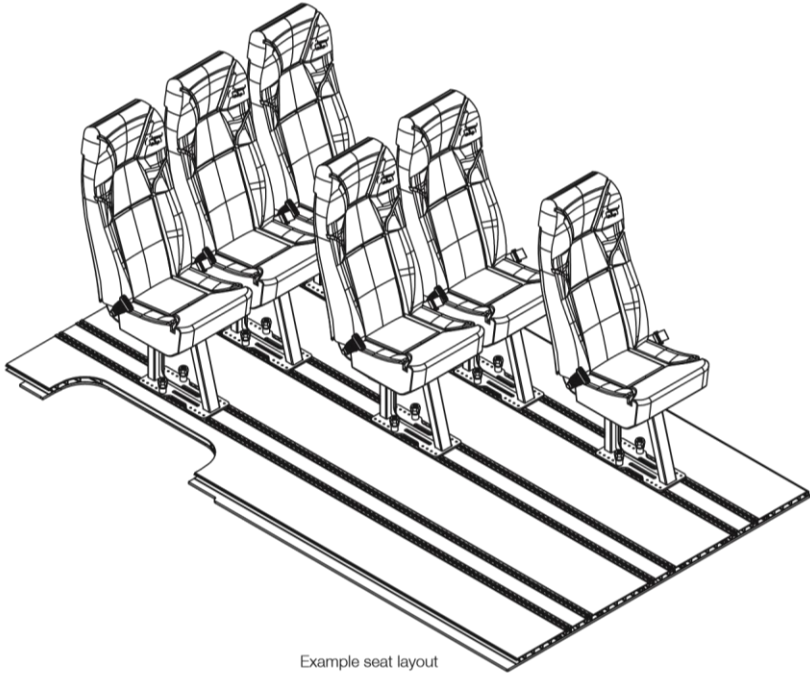
handileg
VEHICLE SEAT LEG



Assembly



handileg
VEHICLE SEAT LEG

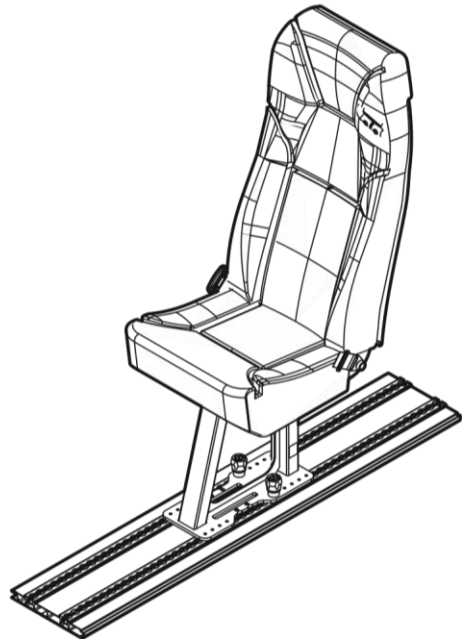


Example seat layout

Maintenance

Keep the rails free of any dirt and debris.

Turnhandles must be cleaned with pH-neutral cleaning solutions.

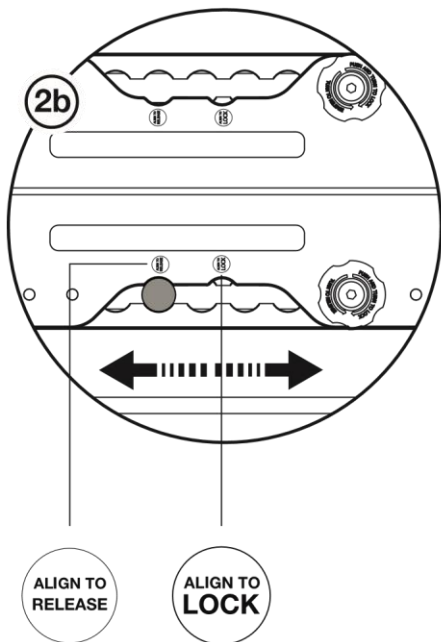
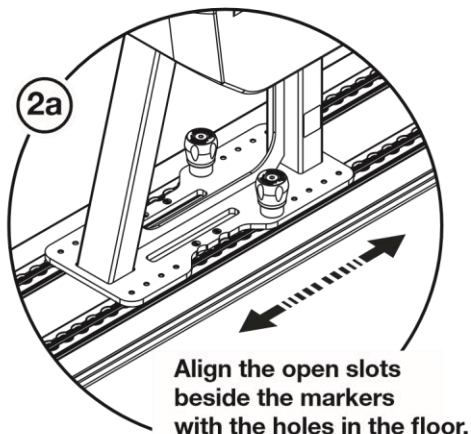
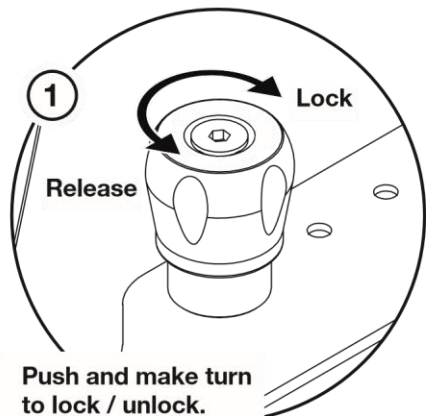


User Guide

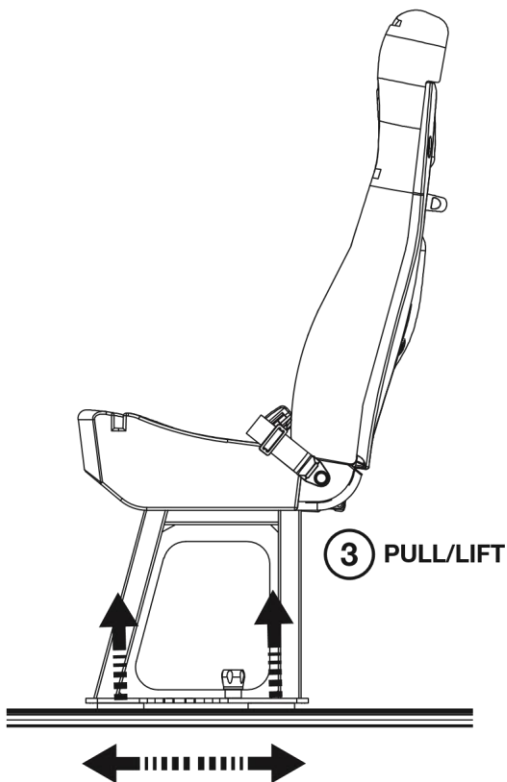
Attachment and detachment



handleg
VEHICLE SEAT LEG



Align to release or lock.



Slide the seat to a new position along the rail or detach it completely.

Original language: English

auto products

Baggeskærvej 48

DK-7400 Herning

T +45 88 18 17 03

sales@autoproducs.dk

www.autoproducs.eu