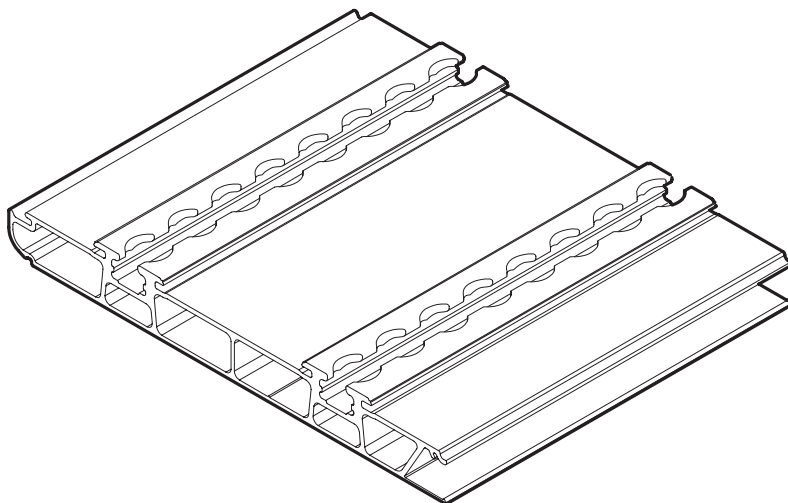


MOUNTING INSTRUCTIONS

EN

# handifloor™

## M1 ALUMINIUM FLOOR



CE

**auto**products

Version 1,0 2022

# ENGLISH

© 2022 **Autoproducts**

All rights reserved.



The information provided herein may not be reproduced and/or published in any form, by print, photoprint, microfilm or any other means whatsoever (electronically or mechanically) without the prior written authorization of **Autoproducts**.

The information provided is based on general data concerning the construction known at the time of the publication of this manual.

**Autoproducts** executes a policy of continuous improvement and reserves the right to changes and modifications.

The information provided is valid for the product in its standard version. Handicare can therefore not be held liable for any damage resulting from specifications of the product deviating from the standard configuration. Illustrations contained in the manual may deviate from the configuration of your product.

The information made available has been prepared with all possible diligence, but **Autoproducts** cannot be held liable for any errors contained in the information or the consequences thereof. **Autoproducts** accepts no liability for loss resulting from work executed by third parties. Names, trade names, trademarks etc. used by **Autoproducts** may not, as per the legislation concerning the protection of trade names, be considered as being available.

# Index

Profile overview.....4

Package overview.....6

Reinforcement kits.....8

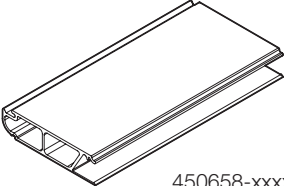
Dimensions.....9

Mounting of profiles.....10

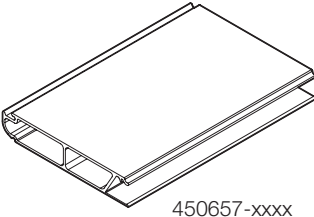
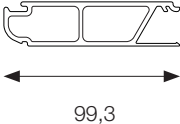
Finishing.....13

# Profile overview

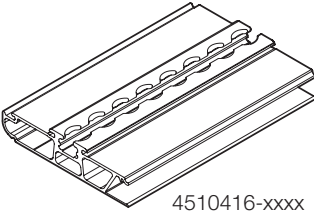
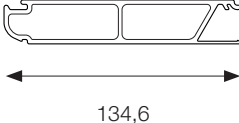
# handifloor™ M1 ALUMINIUM FLOOR



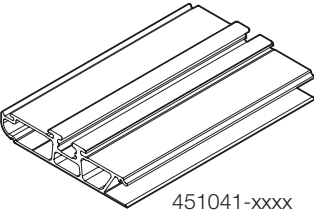
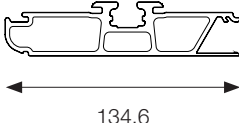
**MS** Mini Spacer



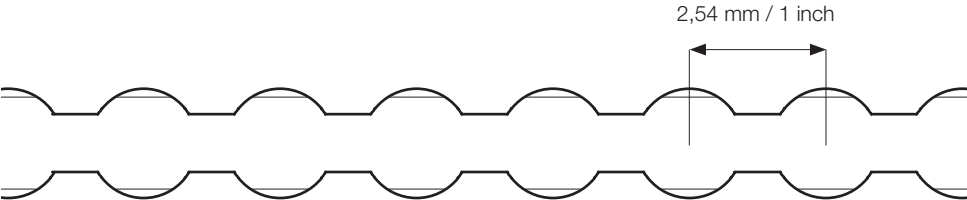
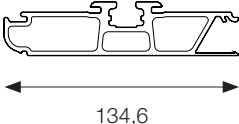
**SS** Single Spacer



**SA** Single Airline



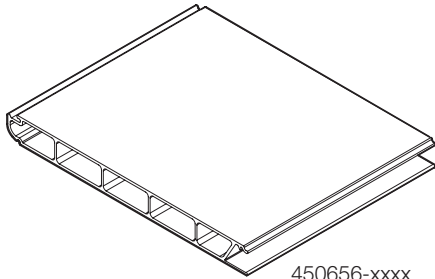
**ST** Single Track



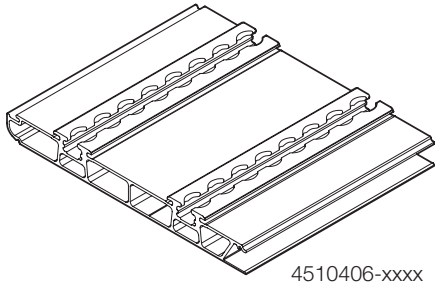
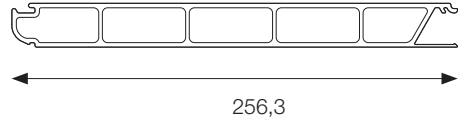
# Profile overview

# handifloor™

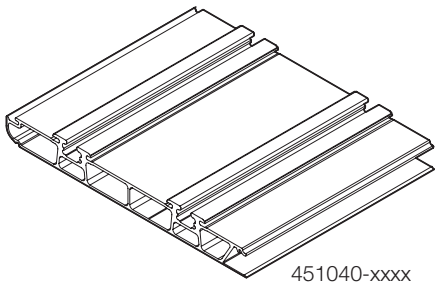
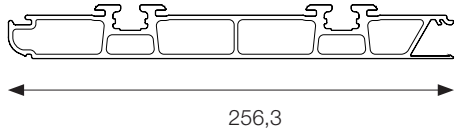
M1 ALUMINIUM FLOOR



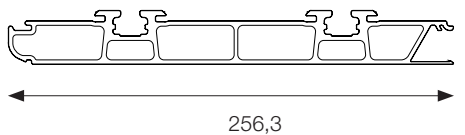
**DS** Double Spacer



**DA** Double Airline



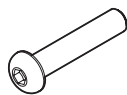
**DT** Double Track



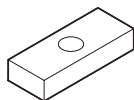
Description	Width when added	Weight pr. meter
Mini Spacer (MS)	86 mm	1,78 kg
Single Spacer (SS)	122 mm	2,25 kg
Single Airline (SA) / Single Track (SA)	122 mm	2,93 kg
Double Spacer (DS)	244 mm	4,30 kg
Double Airline (SA) / Double Track (SA)	244 mm	5,54 kg

# Package overview

**handifloor™**  
M1 ALUMINIUM FLOOR

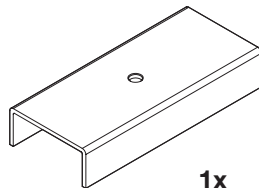


1x



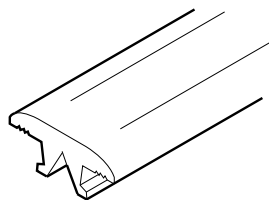
1x

20067 - Reinforcement kit 1

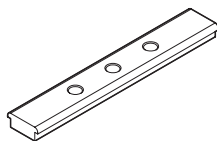


1x

451041 - KAT Reinforcement kit 2



20000 - Rubber sealing, grey



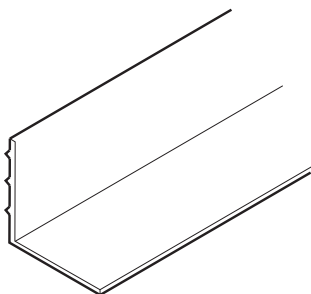
4x



12x

70219 - Glider kit

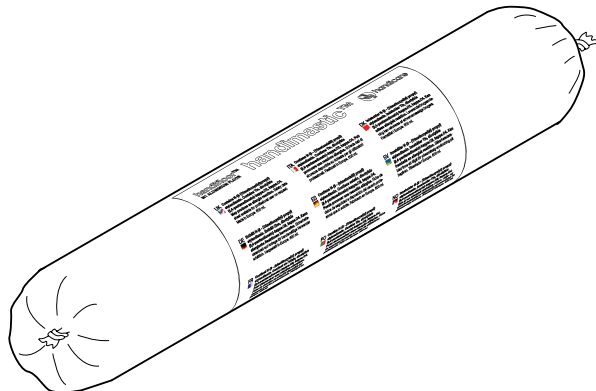
1 set pr. seat



20550 - L-Profile

# Package overview

# handifloor™ M1 ALUMINIUM FLOOR



## HandiMastic™ PMS 700, Non-toxic Adhesive, 600 ml.

handifloor™ handimastic™ M1 ALUMINIUM FLOOR		auto products
<p><b>UK</b> Contains N-β - (Trimethoxysilyl) propyl ethylenediamin. Contains Tin, dioctylbis (2,4-pentanedionato) kappaa.O2, kappaa.O4. May produce an allergic reaction. Safety data sheet available for professional user on request. Made in Europe. 600 ml.</p>	<p><b>ITA</b> Contiene N-β - (Trimetossisilil) propil etilendiamin. Contiene Tin, dioctilbis (2,4-pentanedionato) kappaa.O2, kappaa.O4. Può provocare una reazione allergica. Scheda dati di sicurezza disponibile su richiesta per gli utilizzatori professionali. Prodotto in Europa. 600 ml.</p>	<p><b>DK</b> Indeholder N-β - (Trimethoxysilyl) propyl ethylenediamin. Indeholder Tin, dioctylbis (2,4-pentanedionato) kappaa.O2, kappaa.O4. Kan udløse allergisk reaktion. Lægemiddeloplysninger kan rekvireres af erhvervsbrugere brugeren. Fremstillet i Europa. 600 ml.</p>
<p><b>DE</b> Enthält N-β - (Trimethoxysilyl) propyl ethylenediamin. Enthält Zinn, dioctylbis (2,4-pentanedionato) kappaa.O2, kappaa.O4. Kann allergische Reaktionen hervorrufen. Sicherheitsdatenblatt auf Anfrage für handwerkliche Verwender erhältlich. Hergestellt in Europa. 600 ml.</p>	<p><b>ES</b> Contiene N-β - (trimetoxisilil) propil etilendiamin. Contiene estanho, dioctilbis (2,4-pentanedionato) kappaa.O2, kappaa.O4. Puede provocar una reacción alérgica. Ficha de datos de seguridad a disposición del usuario profesional que lo solicite. Fabricado en Europa. 600 ml.</p>	<p><b>SV</b> Innehåller N-β - (Trimethoxysilyl) propyl etylenediamin. Innehåller Tin, dioctylbis (2,4-pentanedionato) kappaa.O2, kappaa.O4. Kan framkalla en allergisk reaktion. Självhärskatdata åker finns att få på efterfrågad anläggning på begäran. Tillverkad i Europa. 600 ml.</p>
<p><b>FR</b> Contient N-β - (triméthoxysilyl) propyl ethylenediamin. Contient de l'étain, dioctylbis (2,4-pentanedionato) kappaa.O2, kappaa.O4. Peut déclencher une réaction allergique. Fiche de données de sécurité disponible sur demande pour les professionnels. Fabriqué en Europe. 600 ml.</p>	<p><b>PO</b> Contém N-β - (Trimethoxysilyl) propyl etilendiamin. Contém Tin, dioctilbis (2,4-pentanedionato) kappaa.O2, kappaa.O4. Pode desencadear uma reação alérgica. Ficha de segurança fornecida a pedido de utilizadores profissionais. Feito em Europa. 600 ml.</p>	<p><b>NO</b> Inneholder N-β - (Trimethoxysilyl) propyl etylenediamin. Inneholder Tin, dioctylbis (2,4-pentanedionato) kappaa.O2, kappaa.O4. Kan gi en allergisk reaksjon. Helse- og sikkerhetsblad er tilgjengelig på anmodning fra yrkesmessige brukere. Produsert i Europa. 600 ml.</p>
<p>PRODUCED IN EUROPE FOR Autoproducts E</p> <p>Baggeskævej 48   DK-7400 Herning DK</p>		

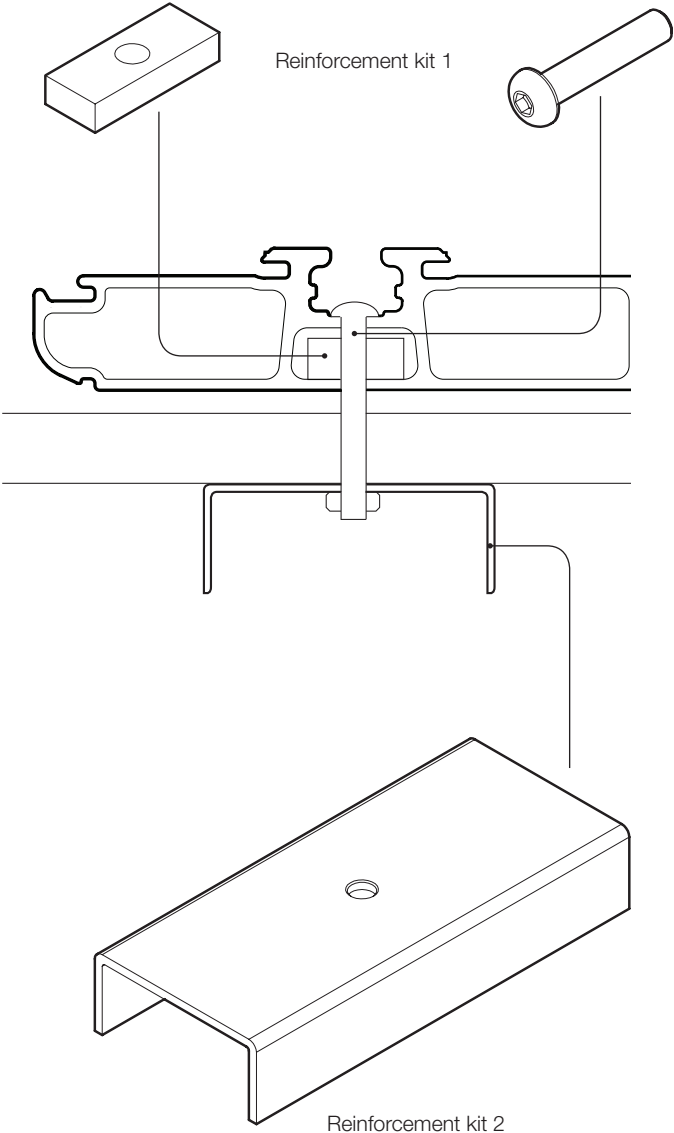
Handimastic™ label

Material Safety Data Sheet References Available Upon Request.

Description	
Trade name	Handimastic™
Article number	Handimastic 700
Application of substance / the preparation	Sealant

# Reinforcement kits

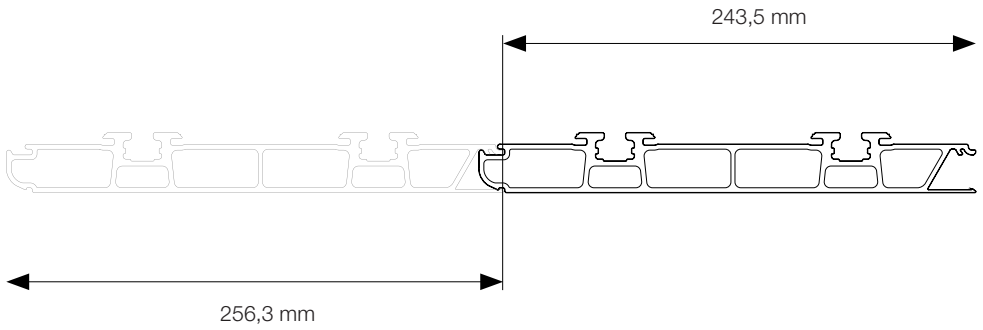
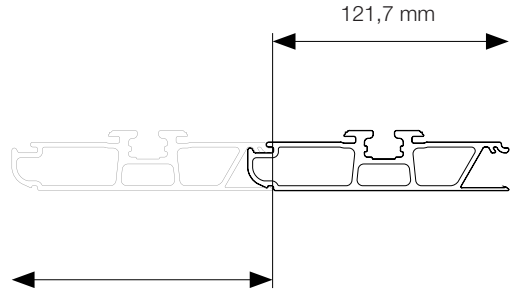
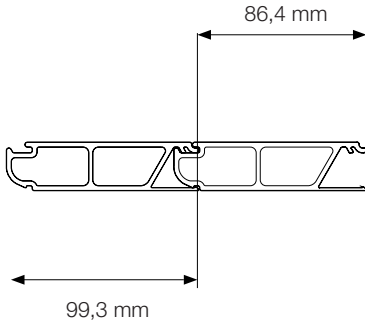
# handifloor™ M1 ALUMINIUM FLOOR



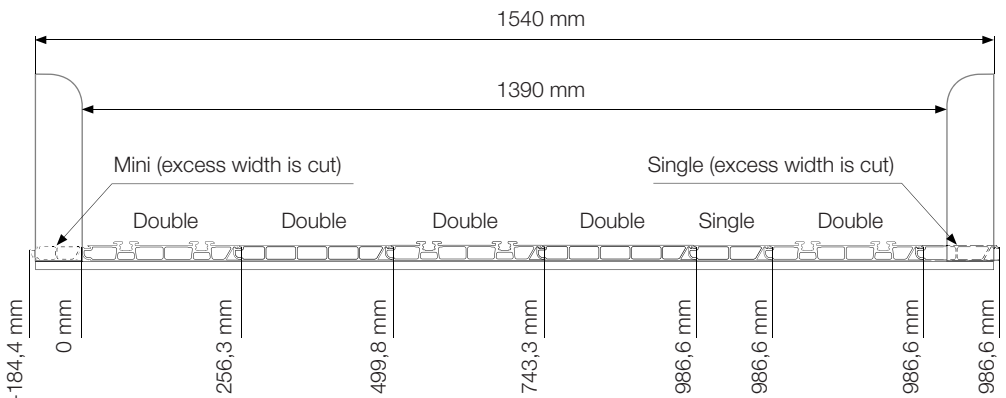


# Dimensions

# handifloor™ M1 ALUMINIUM FLOOR



Layout example:



# Mounting of profiles

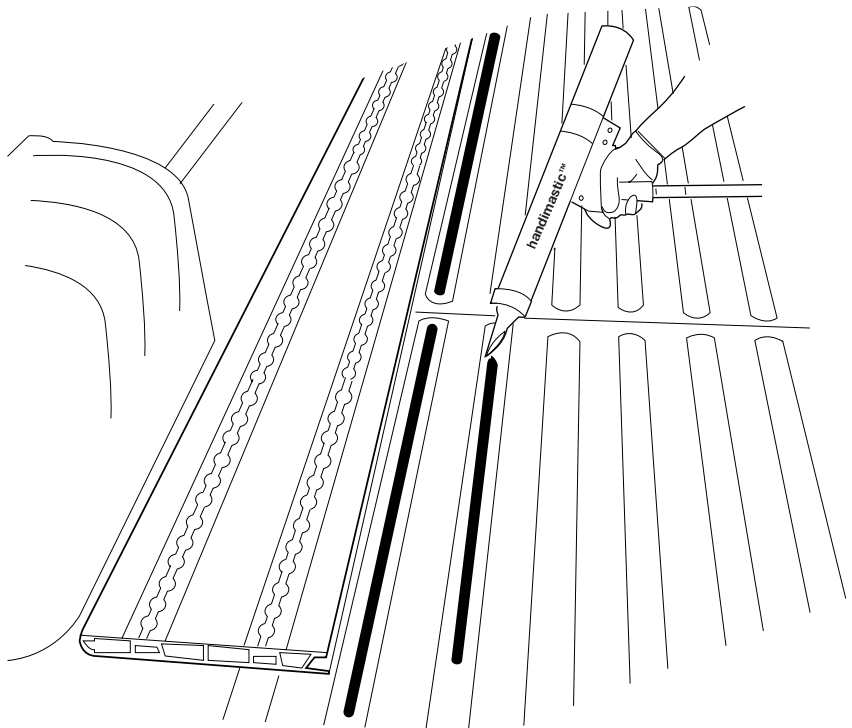
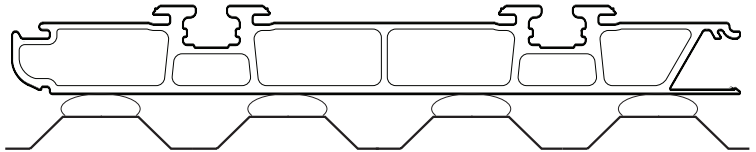
# handifloor™ M1 ALUMINIUM FLOOR

The profiles are glued to original vehicle floor using HandiMastic™. The profiles must be mounted within 10 minutes. The glue is set to rest for 1 hour, and will be fully hardened after 24 hours.

Use following amount of glue:

Profile	Width	Lines
Mini Spacer (MS)	86 mm	1
Single Spacer (SS)	122 mm	2
Single Airline (SA) / Single Track (SA)	122 mm	2
Double Spacer (DS)	244 mm	4
Double Airline (SA) / Double Track (SA)	244 mm	4

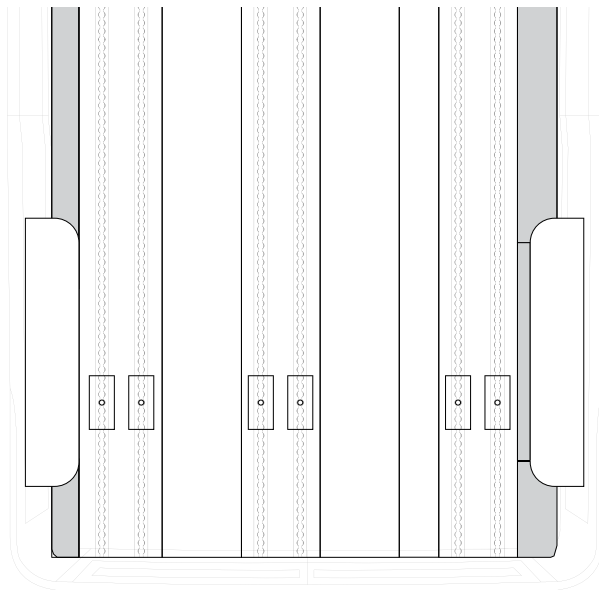
Original vehicle floor



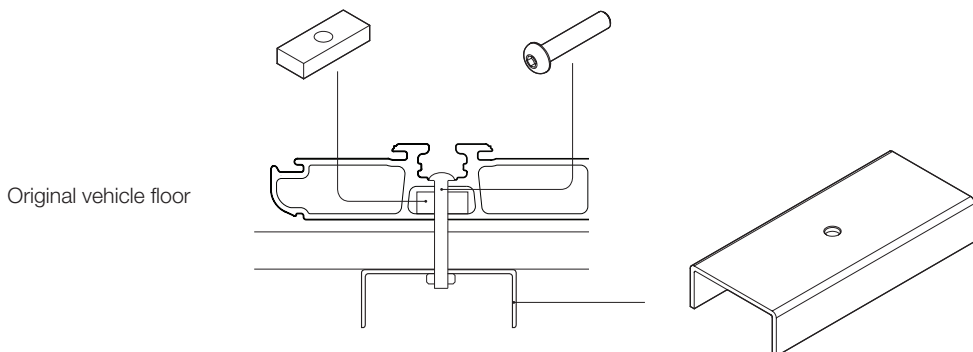
# Mounting of profiles

## handifloor™ M1 ALUMINIUM FLOOR

2 reinforcement kits are used for double spacers and one kit for single spacers.



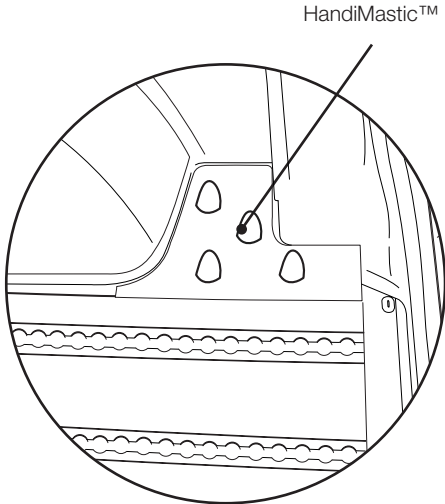
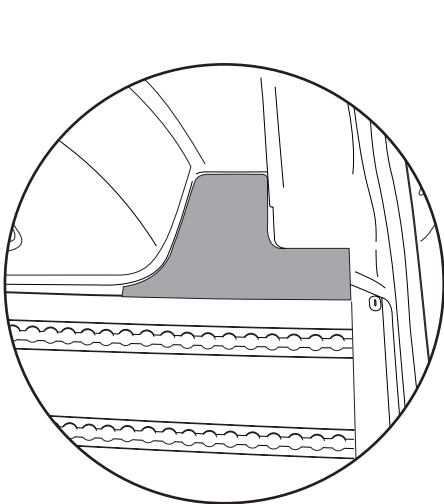
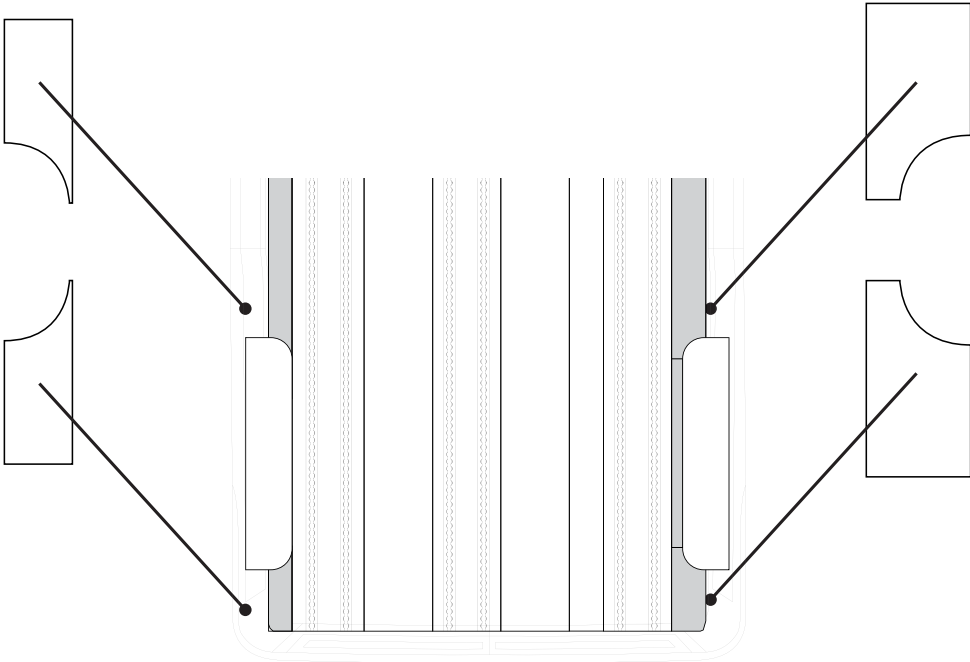
Secure the bolt with a U profile (or custom fitted profile ) beneath the vehicle.



# Mounting of profiles

# handifloor™ M1 ALUMINIUM FLOOR

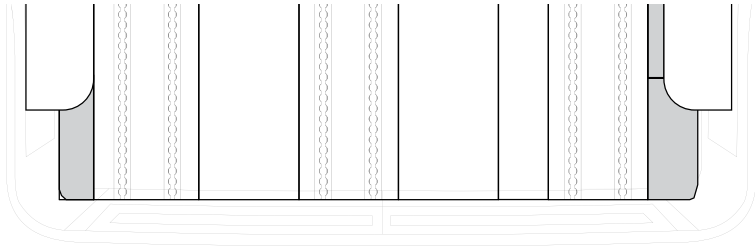
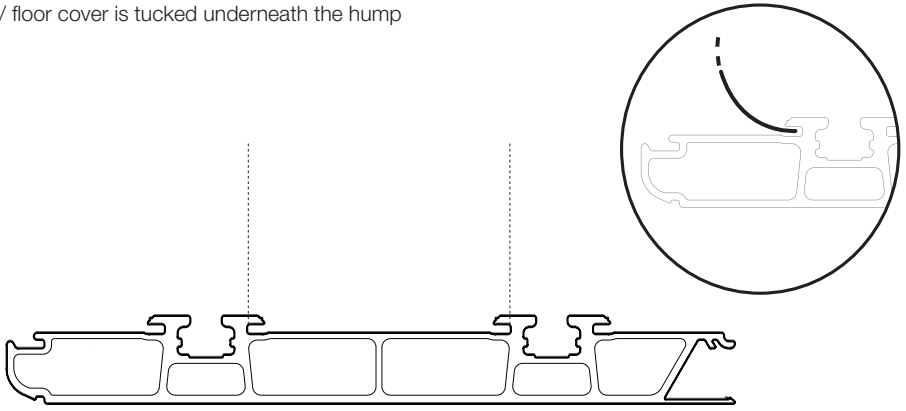
The remaining side tracks are cut to shape.



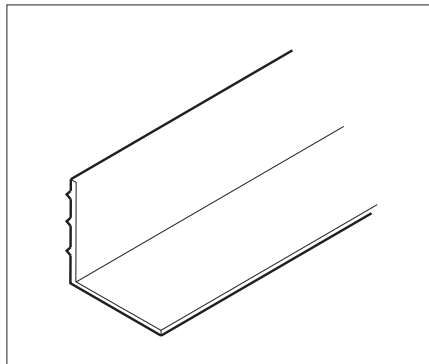
# Finishing

## handifloor™ M1 ALUMINIUM FLOOR

Carpet / floor cover is tucked underneath the hump



Cover the back end of the profiles with the L-profile.



**20550 - L-Profile**





**auto** products

Baggeskærvej 48

DK-7400 Herning

T +45 97 12 96

[sales@autoproducs.dk](mailto:sales@autoproducs.dk)

[www.autoproducs.eu](http://www.autoproducs.eu)